



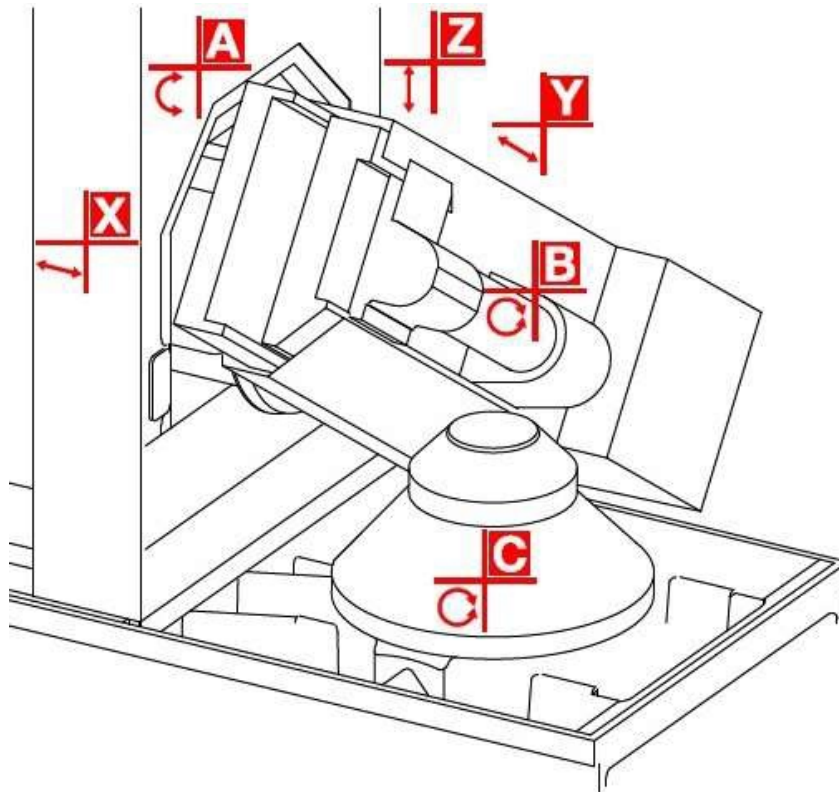
Reliability Ensured

EIFCO MACHINE TOOLS PVT LTD



CNC VERTICAL GEAR
HOBBERING MACHINE

CNC AXIS REPRESENTATION



- Super Precision Roller type LM Guide for Z axis, Y axis, and V axis
- Axial feed (Z-Axis) infinitely variable through precision ball screw driven by AC Servo motor
- Radial feed (X-Axis) infinitely variable through precision ball screw driven by AC Servo motor
- Tangential feed (Y-Axis) infinitely variable through precision ball screw driven by AC Servo motor
- Cutter Helix Compensation (A-Axis) infinitely variable driven by AC Servo motor
- Servo Tailstock with torque control (V-Axis)
- Super Precision Hob Spindle (B-Axis) and Work Spindle (C-Axis)

Features

- 7 Axis CNC System
- Remote Manual Pulse Generator for CNC Machine
- In built Power Failure Module for CNC Machine
- Suitable for cutting Spur/Helical/Spline/Sprocket and worm wheel
- Automatic pressurized lubrication system
- Electronic Gear Box
- Lead correction software module
- MOP and Span correction software module
- Lead crowning and taper hobbing module
- Cluster cycle module
- Auto Thermal Compensation for X axis
- Spindle Load Monitoring function
- Quick Change of Hob Arbor

CNC VERTICAL GEAR HOBBING MACHINE



Technical Data	Hobber 120	Hobber 150	Hobber 180	Hobber 210	Hobber 250	Hobber 500	Hobber 630
Spindle/ Table drive type:	Geared/ Helical Gear	Direct Drive	Geared/ Helical Gear	Direct Drive	Geared/ Worm & worm wheel	Geared/ Worm & worm wheel	Geared/ Worm & worm wheel
Max. Workpiece Dia (mm)	120	150	180	210	250	500	630
Max. Module (Steel) mm)	3	2.5	4	4	6	8	8
Max. Vertical Slide Travel (mm)	350	350	350	500	500	500	500
Table Diameter (mm)	100	150	150	210	250	500	630
Distance of hob axis from table surface (min/max) (mm)	160/510	160/510	160/510	160/660	160/660	160/660	160/660
Max. hob dia (mm)	90	90	90	120	150	150	150
Max. hob length (mm)	180	180	180	180	180	180	180
Hob head swivel angle * (deg)	+45 / -45	+45 / -45	+45 / -45	+45 / -45	+45 / -45	+45 / -45	+45 / -45
Hob Spindle Speed (inf variable) max (RPM)	1200	3000	1200	1400	800	400	400
Max. driving power, hob spindle (Kw)	7.5	15	11	18.5	18.5	18.5	18.5
Total connected load(kVA)	30	50	30	70	50	60	60
Weight of the Machine approx (tonnes)	7.5	7.5	7.5	10	10	14	16
Number of CNC Axes	7/8	7/8	7/8	7/8	6/7/8	6/7	6/7

CNC HORIZONTAL GEAR HOBBING MACHINE



Reliability Ensured



TECHNICAL DATA

EIFCO HOBBER 90 H

Max. Workpiece Dia	90
Max. Module in Steel	3
Between Centre	Customizable
Max. hob dia	90
Max. hob length	180
Max. hob shift length	180
Hob head swivel angle *	+ 45 to - 45
Hob Spindle Speed (inf variable) max	1200
Rapid traverse axial	5000 mm/min
Rapid traverse radial	5000 mm/min
Max. driving power, hob spindle	7.5 Kw
Total connected load	40 kVA
CNC Controller	Fanuc Oi – MF



Reliability Ensured

EIFCO MACHINE TOOLS PVT LTD

📍 50, Vadakku Thotta Paguthi SF. No. 815 Idigarai Village,
Coimbatore - 641 022. TamilNadu, INDIA.

✉ admin@eifcomachinetools.com ☎ +91 99444 36045

🌐 www.gearhobbingsolutions.com 🌐 www.eifcomachinetools.com